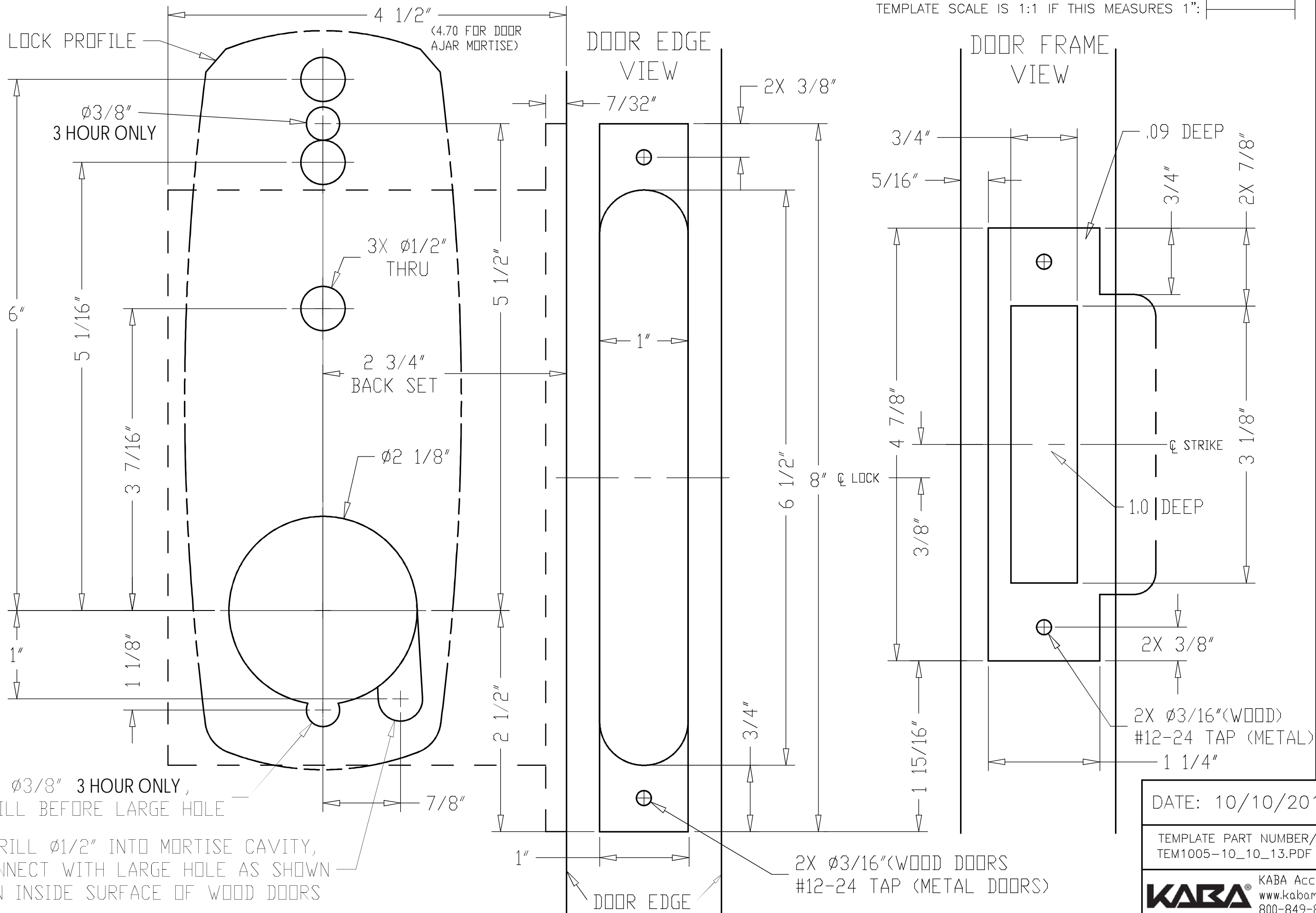


TEMPLATE SCALE IS 1:1 IF THIS MEASURES 1":



Ø3/8" 3 HOUR ONLY, DRILL BEFORE LARGE HOLE

DRILL Ø1/2" INTO MORTISE CAVITY, CONNECT WITH LARGE HOLE AS SHOWN ON INSIDE SURFACE OF WOOD DOORS

2X Ø3/16" (WOOD DOORS)  
#12-24 TAP (METAL DOORS)

INSTALLATION TEMPLATE

INSYNC M 20 MIN AND 3 HR NARROW FRONT

DATE: 10/10/2013

TEMPLATE PART NUMBER/FILENAME:  
TEM1005-10\_10\_13.PDF

**KABA** Access Controls  
www.kabamultihousing.com  
800-849-8324